

RS456-WIFI



Installation Instructions

DESCRIPTION

The RS456-WIFI is a powerful new offering of the RS-Connect™ connected environment. This powerful new eco-structure gives contractors simple and fast installations for connected products, proactive methods to stay in touch with their customers, and grow their business. The RS456-WIFI Module replaces the battery compartment to provide communication capability (C-wire required or use a RS-PWIRE). The module is compatible with ALL RS4000, RS5000, and RS6000 series thermostats ever built. The module can be used as an upgrade to existing installations or in a new installation. Compatible models include all variants of the RS4110, RS4220, RS4320, RS5110, RS5220, RS6110, RS6220 and RS6320.

THERMOSTAT INSTALLATION

Follow the thermostat installation instructions for 24VAC power (*not* battery power).

NOTE: The thermostat MUST be powered by 24VAC in order for the RS456-WIFI module to work. The 'C' common wire must be connected at the thermostat and at the equipment.

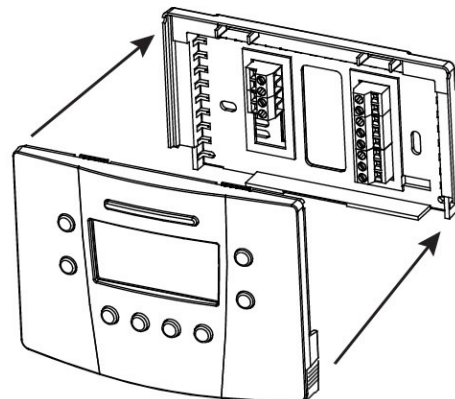
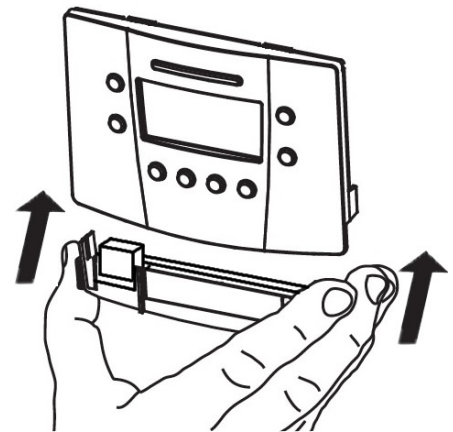
For existing installations where the thermostat is powered by 2xAA batteries and there is no extra wire for connection the 'C' common wire, install a Robertshaw Climate RS-PWIRE Phantom Wire™ kit.

Wi-Fi MODULE INSTALLATION

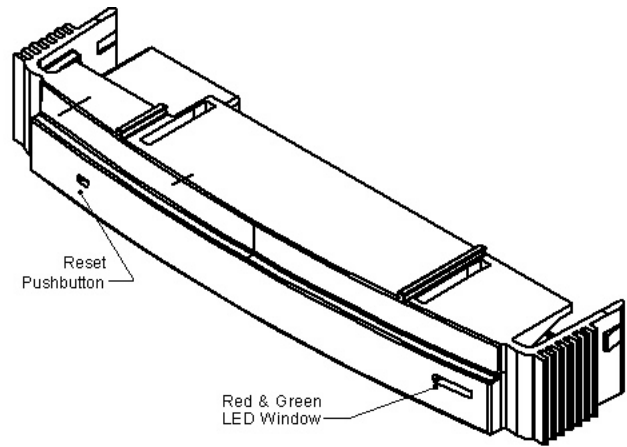
- 1) Turn power off for HVAC unit at the breaker.
- 2) Remove the thermostat faceplate
- 3) Install the RS456-WIFI module into the base of the faceplate, sliding up from the bottom until the connector firmly mates with the circuit board tab sticking down in the bottom of the thermostat.

The module will snap into place.

- 4) Reconnect the faceplate onto the backplate.
- 5) Turn power on for the HVAC unit.



LED BLINK CODES



Status	Green LED	Red LED	Pushbutton Action
Wi-Fi Module Initializing	On	On	None
Commissioning Mode	Flashing	Off	End Commissioning
Wi-Fi configured in module, but not connected to Wi-Fi network	On	Flashing	Start Commissioning
Wi-Fi Module connected to Wi-Fi Network, but no connection to Robertshaw Climate Cloud	Off	Flashing	Start Commissioning
Normal Operation (Connected to Wi-Fi network and Robertshaw Climate Cloud)	Off	Off	Start Commissioning

SPECIFICATIONS

Rated Voltage: 20V to 30VAC, 24VAC nominal; powered from the thermostat
 Wireless: 802.11 b/g/n radio. FCC certified.

FCC Regulatory Information

This equipment has been tested and found to comply with the limits for a Class B digital device, pursuant to part 15 of the FCC rules. These limits are designed to provide reasonable protection against harmful interference in a residential installation. This equipment generates, uses and can radiate radio frequency energy and, if not installed and used in accordance with the instructions, may cause harmful interference to radio communications. However, there is no guarantee that interference will not occur in a particular installation.

Warranty

Robertshaw Climate™ warrants to the original purchaser that this product and its component parts will be free from defects in workmanship and materials for a period of one (1) year from the date of purchase with proof of purchase.

Warranty Limitations

This warranty begins on the date of purchase.

Warranty is Void if:

- The date code is defaced or removed.
- The product has a defect or damage due to product alteration, connection to an improper electrical supply, shipping and handling, accident, fire, flood, lightning or other conditions beyond the control of the manufacturer.
- The product is not installed according to the manufacturers instructions and specifications.
- The product has been installed near sources of electromagnetic interference (EMI) such as arcing relay contacts.

Owner's Responsibility

- Provide proof of purchase.
- Provide normal care and maintenance.
- Pay for freight, labor and travel.
- Pay for service calls related to product installation.
- Return any defective product.

In no event shall the manufacturer be liable for incidental or consequential damages. This warranty gives you specific legal rights and you may have others which vary by state and/or province. For example, some states and/or provinces do not allow the exclusion or limitation of incidental or consequential damages, so this exclusion may not apply to you. The manufacturer's continuing commitment to quality products may require a change in specifications without notice.