

# Robertshaw®

INTEGRATED COMFORT SOLUTIONS™

# 9600

DIGITAL  
PROGRAMMABLE  
THERMOSTAT



GAS ELECTRIC

5 - 2 Day Programmable  
1 Heat / 1 Cool

## Affordable Comfort Control

The Robertshaw 9600 programmable thermostat is the perfect solution to keeping your home comfortable year-round. Not only that, setting back your thermostat twice each day can reduce energy costs up to 25%. **Set it and save.** Today's busy lifestyle demands hands-free temperature control, and with a programmable thermostat, you've got it. At the touch of a button, set your weekly program for summer and winter upon installation. You will always come home to a comfortable setting, and you'll save energy without even thinking about it.

The 9600 is compatible with all standard 24 Volt AC heating and cooling systems.

When you select a Robertshaw thermostat, you've made the choice of an industry partner that's been making quality products for 100 years. Come home to affordable comfort. Come home to Robertshaw<sup>SM</sup>.

## Features and Benefits

### Automatic Compressor Short Cycle Protection

A system safeguard. Reduces wear and tear of HVAC equipment.

### Weekly 5 - 2 Day Programming

Set your weekly program once with four time and temperature settings. The four set points are followed for 5 consecutive days. On the weekend, both mid-day settings are automatically eliminated for all day comfort.

### Adjustable Temperature Differential

Maintains optimal customer comfort.

### Temporary Program Override

Allows for manual temperature adjustment.

### Low Temperature Protection

Heat automatically turns on when temperature goes below 40°F. Protects pipes from freezing.

### Toll-Free Assistance

Toll-Free Technical Service number printed right on the thermostat provides immediate assistance.

### Quick Wire Terminal Block

Fast and easy installation. Uses sturdy wire clamps – no wrap-around of screws.



Technical service available:

1-800-445-8299

M-F 7:30 a.m. - 5:30 p.m. CST



# Robertshaw®

INTEGRATED COMFORT SOLUTIONS™

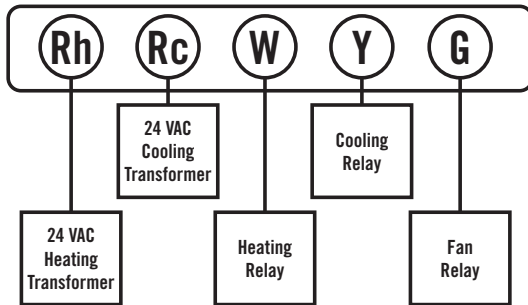
# 9600

DIGITAL  
PROGRAMMABLE  
THERMOSTAT



GAS ELECTRIC

## Terminal Designations



5 - 2 Day Programmable  
1 Heat / 1 Cool

THE ROBERTSHAW 9600 REPLACES:

Robertshaw	300-252
White-Rodgers Company*	1F80-51
Honeywell, Inc.*	T8700C, T8112, T8131C T8132C, T8000C, T8001C

\* Verify specific application requirements before substitution.

## Specifications

**Electrical rating:** 24 Volt AC (18-30 VAC)

1 amp maximum load per terminal

2 amp total maximum load (all terminals combined)

**Temperature control range:** 45° - 90°F (7° - 32°C)

**Accuracy:** +/-1°F (+/- .5°C)

**DC power:** 3.0 VDC (2 "AA" alkaline batteries included)

**System configurations:** 2-5 wire single stage gas, oil, or electric systems

**Terminations:** Rh, Rc, W, Y, G

## Shipping Information

**Indiv. Ctn. Dim.:** 6.75" x 4.375" x 1.625"

**Master Ctn. Qty.:** 6

**Master Ctn. Dim.:** 9.25" x 5.625" x 7.625"

**Master Ctn. Cu. Ft.:** 0.23

**Master Ctn. Wt.:** 4.0 lbs.

**Max. Pallet Qty.:** 1170

**Max. Pallet Dim.:** 40" x 48" x 48"

**Max. Pallet Cu. Ft.:** 53.33

**Max. Pallet Wt.:** 835 lbs.

## Other Single-Stage Heat / Cool Thermostats

**9200:** Mercury-Free Deluxe Mechanical

**9500:** Digital, Non-Programmable

**9610:** Programmable, 7 Day

**9701i:** Deluxe Programmable, 7 Day

 **Invensys™**

Uni-Line North America  
515 South Promenade Avenue  
Corona California 92879-1736 USA  
Telephone +1 800 304 6563 Facsimile +1 800 426 0804  
Outside the USA +1 630 719 5500  
Technical Service Telephone +1 800 445 8299  
[www.uni-line.com](http://www.uni-line.com)  
©2002 Maple Chase Company 5/02 - #150-1401E

Distributed by: